



TECHNICAL SERVICES DIVISION

www.dtb-infopros.com



T H E I N F O R M A T I O N P R O F E S S I O N A L S



TECHNICAL SERVICES DIVISION

INTERACTIVE ELECTRONIC TECHNICAL MANUALS (IETM)



DTB's Technical Services Division provides a broad scope of data services. Our comprehensive services range from the conversion and creation of component data types to the production of complex interactive systems to deploy information.

We can repurpose your existing legacy data, develop new elements and integrate everything into a flexible 'information on demand' system responsive to your environment's requirements.

- **Operator Manuals**
- **Component Maintenance Manuals**
- **Overhaul Manuals**
- **Parts Manuals**
- **Software User Manuals**
- **System Maintenance Manuals**
- **Training Manuals & Course Development**

The Elements of Interactive Information Systems

TECHNICAL WRITING SERVICES — Interactive data delivery starts with information and so do we. DTB can review your existing files and provide fresh insight into how they may be re-used, updated and converted. Dayton T. Brown routinely authors new information as well, studying and understanding your projects and requirements to provide a structured data system that grows with your needs.

STRUCTURED DATA DEVELOPMENT — Data authored to today's standards is adaptable and able to be used and reused at any point downstream. XML and SGML often provide the framework for the flexible utilization of information, connecting your resources to the most advantageous point of use. DTB's expert teams specialize in these and many other structured data formats as well as authoring to all required standards, such as S1000D, MIL standards and more.

TECHNICAL ILLUSTRATION SERVICES — Our graphic and illustration services range from the conversion of legacy graphic file types to the development of 'intelligent graphics' that enhance the use and users' connectivity with the flow of information. We can start from scratch, creating new drawings of your parts and processes or re-purpose your existing computer graphic files for reuse in new systems.

COMPLETE INTERACTIVE INFORMATION SYSTEMS — Intelligently designed interactive information systems, including IETMs, can deliver information throughout the entire range of process at new speeds. Updates can be instantaneous across your entire system. Users can activate pinpoint delivery of precisely the information they require. Finally, your data, broadcast through a system responsive to your requirements, will be supporting your entire range of activity.

DTB Technical Services Division has provided a wide range of documentation products, analysis and support services to the military, government and commercial industries since 1966. We have a long record of evolution with changing technologies and often lead the way in the development and acceptance of emerging standards.

DTB can provide alternatives and insight into the new opportunities evolving technologies present. Contact DTB's Technical Services Division for clear, concise evaluation of your requirements.



TECHNICAL SERVICES DIVISION

TRAINING and COURSE DEVELOPMENT



DTB has developed training programs for all branches of the military, governmental agencies and commercial companies of every description, around the world.

Over the years, our course designers have covered everything from high-tech weapons to credit card collection procedures.

Whether we are designing a traditional training program for commercial employees, or CBT courseware for military personnel- there are a few things in common:

- Our courses are designed with specific goals in mind. Routine knowledge assessments clearly demonstrate the relationship between performance objectives and learning.
- A comprehensive instructional analysis is performed. Objectives are identified that coincide with the needs of the learners. A syllabus is created and course content is developed.
- As the training progresses, results are measured, reported and reviewed affording improvements to the new system.

Technologies Tailored To Teach

COURSE DEVELOPMENT and DEPLOYMENT — DTB has created all types of technical training courses for governmental, commercial and military requirements. We will study your needs, designing courseware and material to suit. Seminars, classes and on-going educational initiatives may be designed to for on-site deployment, whether it is in a classroom, an assembly line or a proving ground. Whatever makes the most sense and will return the best results is the course we follow.

COMPUTER BASED TRAINING (CBT) — CBT course structure provides unrivaled advantages over traditional methodologies. Interactive learning media is delivered via the web, on CD-ROM, as downloadable modules and via your company's intranet. The entire learning and training system is available at the users' discretion and in a variety of formats. The accessibility and results achieved by these systems are unmatched by traditional class and book presentation. DTB employs experts in every area of computer based learning technologies.

INSTRUCTOR INDEPENDENCE — CBT courses are usually deployed without an instructor, and so are less dependent on a particular teacher's ability and availability. The 'instructing skill' is built into system design, function and presentation. CBT instruction offers the students flexibility to run through classes at any time. Did you know most employees prefer to "learn at home" on their personal time? Understanding basic premises in the approach to training can often increase *real participation* and ultimately the success of your program.

CONSULT DTB — Even a preliminary interview with DTB can set your training on an entirely new track. Successful educational initiatives begin with understanding goals. Most organizations are focused on their day-to-day objectives and struggle to develop adequate training methodologies.

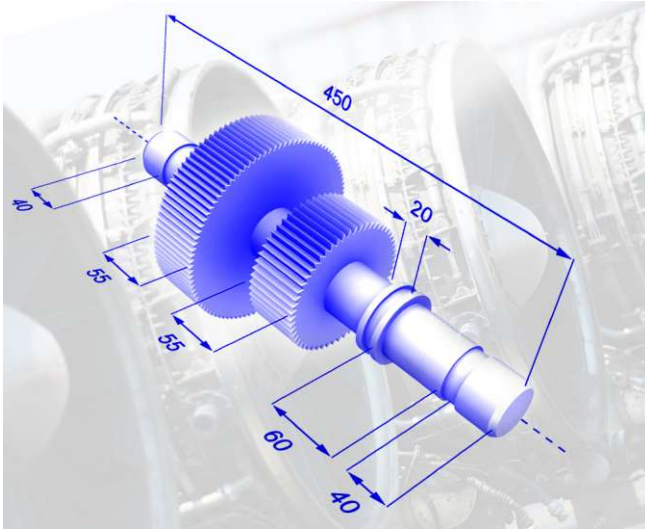
STANDARDS COMPLIANCE and IMPLEMENTATION — DTB's Technical Services Division is expert in the analysis of training needs. We can supply a complete solution to the most challenging situations:

- Complete Project and Course Management
- E-Learning Programming Experts
- Reusable Learning Objects (RLO)
- Intelligent Graphics
- Animation, Simulation
- Certification and Survey Development and Design
- SCORM, ADL, and S1000D Compliant Solutions



TECHNICAL SERVICES DIVISION

GRAPHICS and TECHNICAL ILLUSTRATION



DTB's technical illustrators prepare supporting graphics for all authored technical material.

The illustrators develop artwork electronically on a wide variety of native systems using the most recent releases of software.

In addition to most native file formats, we can provide a variety of vector and raster formats to customer requirements including such applications as:

- Auto-Trol (Technical Illustrating)
- AutoCAD
- Adobe Acrobat 3D
- Adobe Illustrator
- Adobe Photoshop
- Corel Designer Technical
- Corel Active CGM Author
- Arbortext IsoDraw
- Enovia (Navigator)
- Bentley Microstation
- Product View
- Quark Express
- Right Hemisphere
- Visio 2000

Our illustrators can render the most complex exploded views and functionalized wiring diagrams. Our staff of technical illustrators produces graphics from the simplest block diagrams and line conversions to the most complex.

Create New Illustrations • Convert and Update Existing • Graphics Linking

INTELLIGENT GRAPHICS — DTB is expert in the development of intelligent or 'smart' graphics that allow the user to interact with diagrams, parts and repair manual illustrations, highlight and drill-down exploded views, etc. We can create new drawings and diagrams, update and convert your existing artwork and utilize all file formats. Users can drill-down to information referencing a variety of visual cues far more effectively than using a lexicon of often complex terminology.

Our illustrators apply unique coding to vector graphics which then enables selected portions of the graphic to be highlighted in a variety of ways.

We have successfully deployed this technology for an award-winning major U.S. Army initiative to extend the useful life of materiel cargo assets currently employed throughout the world.

GRAPHIC CONVERSION SERVICES — Our technical illustrators use COTS and specialized software to develop final illustrations by extracting *and repurposing data from your engineering files* for re-use. We routinely develop graphic libraries, specialized to the project, which result in significant schedule efficiencies and cost reductions. DTB supplies finished graphics in any required format. Our technical illustrators specialize in developing true, mathematically-based, vector formats from scanned or existing raster graphics guaranteeing full vector compliance and re-usability for future modifications and intelligent graphic applications.

We have successfully completed this process for tens-of-thousands of raster and composite illustrations for both the U.S. Government and major DoD prime contractors.

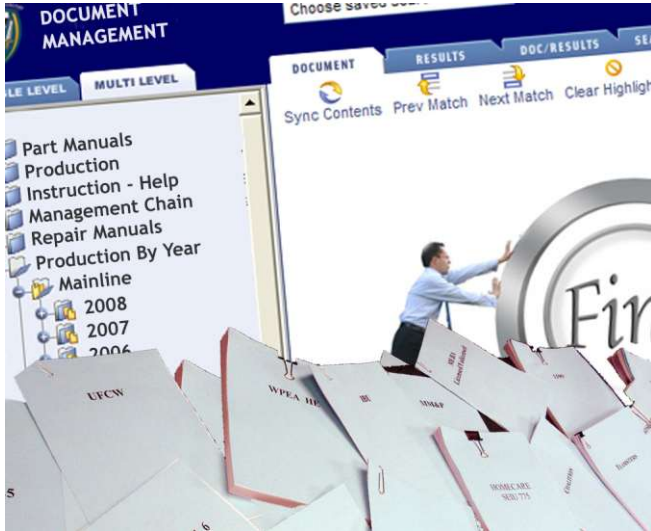
FULL TECHNICAL GRAPHICS and ILLUSTRATION SERVICES — Dayton T. Brown, Inc. creates technical illustrations to support paper and electronic technical manuals (IETM / IETP), parts catalogs, wiring diagram manuals and all other types of technical information.

DTB's capability includes three-dimensional illustrations, exploded views, orthographic drawings, schematics and wiring diagrams. DTB also adds intelligence into graphics to support highlighted signal flow tracing, interactive troubleshooting, intrusive diagnostics, e-learning applications, and full support from MBE.



TECHNICAL SERVICES DIVISION

DOCUMENT HOSTING SERVICES



The best answer for your information management challenge may be a one-time system build and structured authoring of your documents. Or, it may be a more robust, dynamically evolving network of information.

Whatever it may be, DTB Technical Services Division can help you determine the most advantageous route. We can supply systems to meet any governmental, military or commercial requirement, from basic document libraries to fully managed document authoring and control solutions.

- Complete Document System Development
- Host on Your Network / Intranet
- Secure Server Web Hosting
- Remote Access Features
- Total / Partial Server, System & Document Administration

Complete Document Management Solutions

COMPLETE HOSTED DOCUMENT MANAGEMENT — DTB's Technical Services Division can design and implement a fully-featured document hosting system. Both local and web-based options are available as well as complete management and administration services by our technicians. And, DTB can supply all of the advanced features that will streamline the deployment and everyday use of your system.

In addition to designing and implementing your information hosting system, DTB can develop the content. We will author properly structured documents and convert your existing legacy files to multi-use data types.

Hosted document solutions are far superior to unstructured file sharing, common network topographies and certainly outstrip legacy paper-based systems. Instant updates to information, rapid dissemination of new materials, a reduction of error points and an increase of efficiency are the most obvious benefits.

MANAGED INFORMATION ADVANTAGES — When your information is more readily available, when information is controlled to be available only to interested and authorized user levels, when all of your process information is easily searchable and retrievable users are more productive. Easy access to information spurs productivity and efficiency.

To discover what real, significant advantages a managed document hosting system can offer, contact DTB.

INFORMATION CONTROL — The basis of a hosted document management system is control; controlling who has access to what information and controlling the documents themselves. All aspects of these controls are incorporated into our systems, aspects to facilitate:

- | | | |
|------------------------------|--------------------|---|
| • User Access Administration | • Document Updates | • Intelligent Graphics |
| • Structured Authoring | • Versioning | • Interactive Electronic Technical Manuals (IETM) |
| • Document Dissemination | • Usage Reporting | • Training and Course Development |

DTB Technical Services Division can contribute substantial enhancements to your company's use of information. Data structured for reuse throughout your system, repurposing and updating of your currently existing files, the development of interactive 'query and answer' data systems, analysis, reporting and training services are available.



TECHNICAL SERVICES DIVISION

MARKETS SERVED



Since 1966, Dayton T. Brown's Technical Services Division has supplied a variety of authoring, analysis and reporting services to various governments, military services and commercial concerns the world over.

With our long history and extensive resources, DTB has garnered wide experience across varied customer environments and in all types of applications.

We've developed interactive manuals and modernized data systems, programmed complete product support systems and created parts illustrations for virtually every industry. DTB Tech Services has participated in the development of global information standards and promoted the advantages of changing technologies to our clients.

Whatever your information creation and management goals, DTB Technical Services Division has the resources and experience to help you succeed.

Clients With Unique Requirements

Servicing many industries, such as...

AEROSPACE and AVIATION - Prime Contractors, System Suppliers, Manufacturers, Completion Services. DTB has a long history of service to these industries providing a complete range of compliant materials, IETMs, documentation, training, illustration, analysis and more.

U.S. & ALLIED MILITARY - All branches of the U.S. Military have sourced DTB's Technical Services Division many times over the years. We have prepared IETMs, operator manuals, parts catalogs, training courses, analytical services and many other specialized products.

HEAVY EQUIPMENT INDUSTRY - We are expert is the development of technical documentation for all facets of the heavy equipment industry, We also have our own 10,000 square feet equipment tear-down facility for equipment analysis and technical manual validation.

CUSTOMER APPRECIATION — Dayton T. Brown, Inc. has received numerous quality accreditations and customer appreciation awards, certificates and citations in response to its overall commitment to customer satisfaction.

Deere and Company— Outstanding Supplier Performance Partner and Key Supplier awards to Dayton T. Brown

Col. William T. Crosby, US Army AMCOM Program Manager for CH-47 Cargo Helicopters awarded us Certificates of Appreciation for providing customized and timely support services for a large CH-47 technical documentation program.

Gulfstream Aerospace awarded DTB the Veteran Owned Small Business of the Year Award for long-term services.

Sectors We've Serviced

- Construction Industry • Mining • Forestry • Agriculture • Paper • Petro-Chemical
- Automotive • Aviation • Aerospace • Railway • Marine, Shipbuilder and Shipboard Systems
- Medical Equipment Manufacturing • Radar, Navigation GPS Systems
- Military - All Branches • Combat Vehicle Systems • Weapon Systems and Equipment
- Avionics • Fixed and Rotary Wing Aircraft Systems Support • Aviation Life Support
- Ocean / Air Operations Simulators • Public Utility Power Generation
- Material Handling • Packaging Equipment • Product Support Equipment



TECHNICAL SERVICES DIVISION

STANDARDS of AUTHORIZING and IMPLEMENTATION



Whether compliance is desired to meet existing or newly emerging standards, DTB Technical Services Division is fully staffed to meet any requirements. We have provided support and completed product to military and commercial specifications for many years throughout the world.

- **ASD / AIA S1000D** — DTB can provide all phases of S1000D - training, authoring and implementation.
- **XML / SGML**- Structured development and programming offers new flexibility of data use.
- **MIL Standards** - Many of our projects over the last 50 years have been for U.S. and allied military and government agencies.
- **Global Commercial Standards** — Our experienced teams can lead you through the matrix of commercial standard requirements.
- **Aerospace and Aviation Standards** — We've provided IETMs, operator manuals, parts catalogs and completions services to all areas of aviation industries.

Compliant Authoring and Implementation

ASD / AIA S1000D STRUCTURED AUTHORIZING and CONVERSION SERVICES — S1000D is an international standard which is used to develop and deploy product information. Organizations that analyze content creation and management processes often find a technical content standard is the first step toward higher efficiencies and data sharing.

S1000D CONSULTING SERVICES — DTB Technical Services Division can help your company to understand and implement the advantages of adopting and implementing S1000D. From the basic concepts of S1000D to in-depth evaluations and guidance for implementation, DTB can provide expert navigation.

Dayton T. Brown, Inc., is a member of AIA (Aerospace Industries Association), a steering organization for the implementation of S1000D. This membership allows us access to steering activities and committee sessions.

XML / SGML - Our Information Management specialists are thoroughly familiar with all aspects of XML and SGML, publishing, and DTD and style specification structure. This technology changes rapidly. As a result, Dayton T. Brown, Inc. makes available to its information specialists the resources to ensure that they are trained on the latest technological developments. Additionally, our personnel are encouraged to participate in the many independent committees tasked with the development of XML and SGML standards.

As a member of the DOD Defense Information Systems Agency Red Team, DTB has reviewed drafts, proposed revisions and provided proof of concept during the development of a Military Standard Handbook for SGML tagged documentation.

STANDARDS COMPLIANCE and IMPLEMENTATION — DTB Technical Services Division has prepared documentation, illustrations, information systems, analysis and reports for very diverse base of customer types. Many of our projects over the last 50 years have been for U.S. and allied military and government agencies. We have been heavily involved with aviation and aerospace information and logistics systems, even participating in developing some of the standards in use today.

GLOBAL STANDARDS — S1000D, XML / SGML, SCORM, ADL

AEROSPACE and AVIATION — FAA FAR PART 145, ATA 2200, ATA 100

MILITARY — MIL-STD 1388 2A/ 2B, MIL-PRF-49506, MIL-STD-1552A, MIL-STD-3001, MIL-STD-40051, MIL-STD-38784



TECHNICAL SERVICES DIVISION

DAYTON T. BROWN TECHNICAL SERVICES DIVISION



Since 1966, Dayton T. Brown's staff of technical data specialists have provided world-class technical publications and logistics data support solutions to government, military and industry around the world.

Our technical writers, subject matter experts, illustrators, software engineers, and analysts hold technical degrees in their various areas of expertise such as A & P technology, vehicle technologies, mechanical and electrical engineering, computer and information science, language and publishing technologies.

They have detailed knowledge of complex, mission critical systems and equipment, and are cognizant of all current military and commercial standards and specifications for technical documentation and graphics development.

**ISO 9001:2008 Certified
AS9100**

Military, Government and Commercial Technical Services Since 1966

RENEWABLE RESOURCES — Across the entire scope of our work on such a diversity of projects there is one consistent factor: Customer Satisfaction.

Whatever the need, Dayton T. Brown's people are equal to the task.

- CBT / WBT Programs
- Component Maintenance Manuals
- Content Management Systems
- Fault Tree Analysis
- FMECA
- FRACAS
- Hazard Tracking & Risk Resolution
- Human Engineering Analysis
- IETMs / IETPs
- LSA / LSAR
- Maintainability Analysis
- Manpower Requirements Analysis
- Operator's Manuals
- Overhaul Manuals
- Parts Manuals
- Provisioning Technical Documentation
- RCMA
- Reliability Analysis/MTBF Predictions
- Software User Manuals
- System Maintenance Manuals
- System Safety Analysis
- Training Course and Courseware
- Training Manuals
- Training Needs Analysis

EVOLVING STANDARDS, REFINING CAPABILITIES FOR OVER 40 YEARS — Our core competencies include design, development, implementation and maintenance of technical documentation and graphics. We provide comprehensive technical information solutions with a special emphasis on standards-based analysis, data repurposing, IETM development, XML conversions, web-based training, data provisioning, intelligent graphics, data conversions, and content management. Technical data is developed in compliance with all currently used commercial and military specifications (S1000D, ANSI, SCORM, MIL Specs, etc.).

www.dtb-infopros.com

(866) 300-1701 • Dayton T. Brown, Inc. • 1175 Church Street • Bohemia, New York 11716 USA